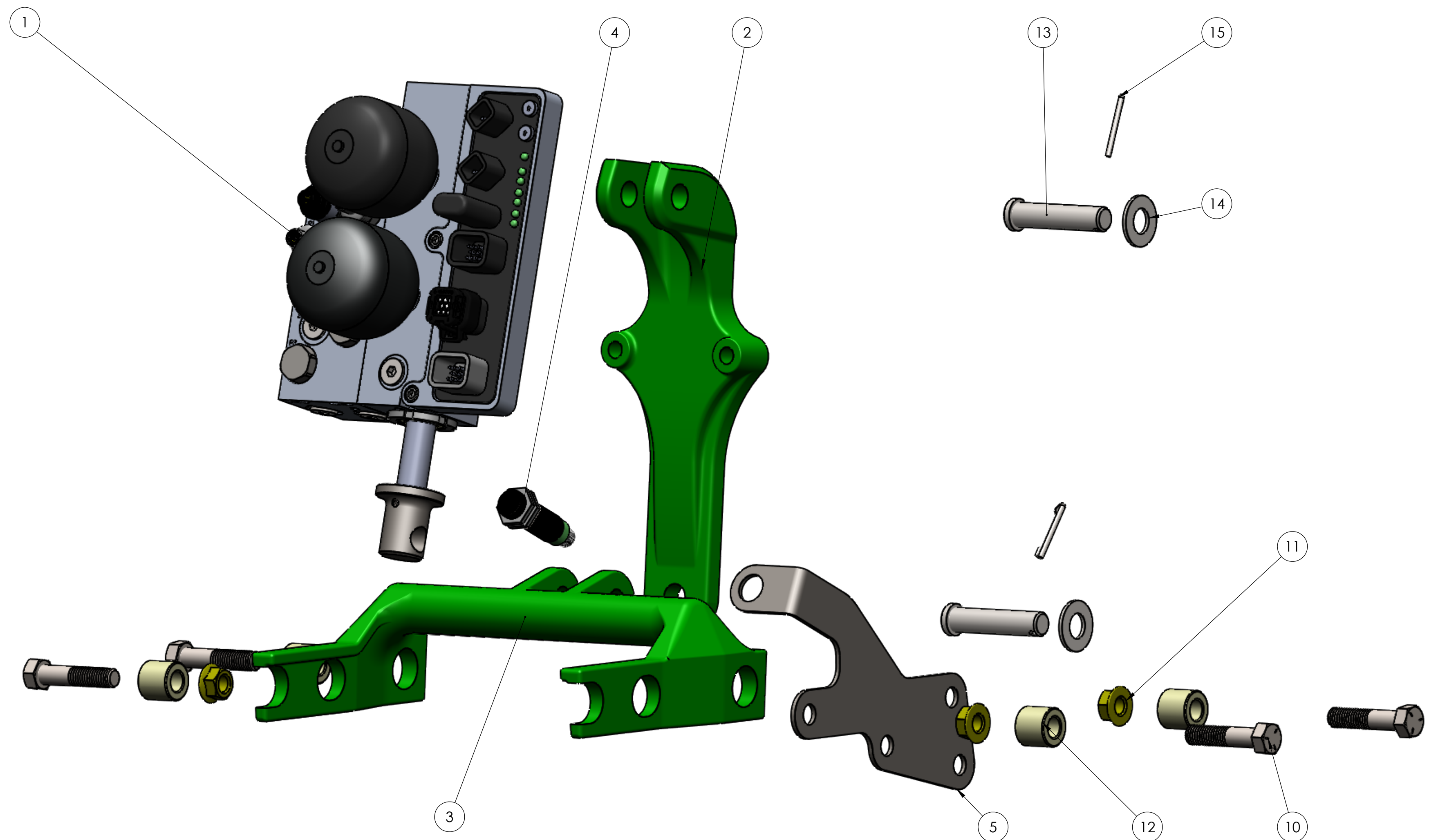
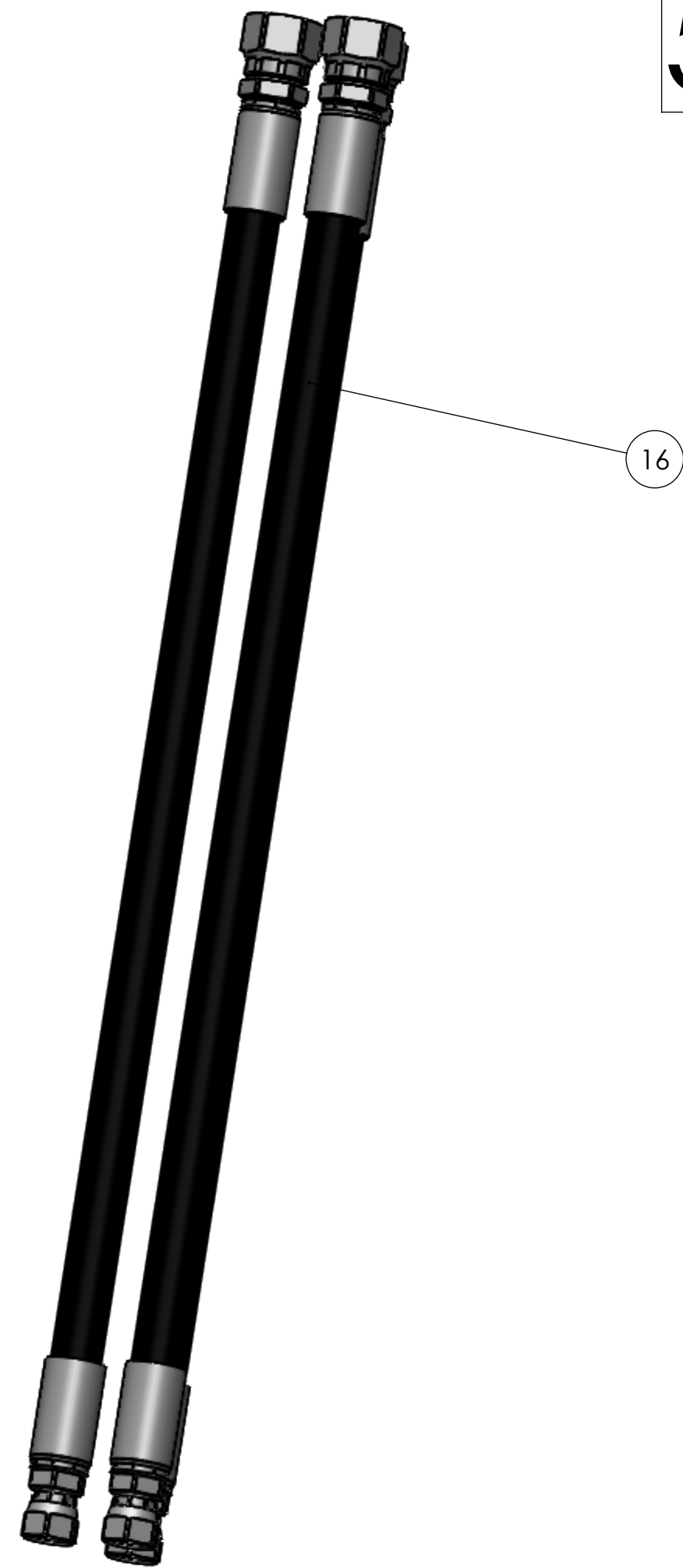


| ITEM NO. | PART NUMBER | DESCRIPTION | QTY. |
|----------|-------------|----------------------------|------|
| 1 | 300642 | REFLEX ADP ACTUATOR | 1 |
| 2 | 90760 | RFX UPPER SUPPORT CASTING | 1 |
| 3 | 90761 | RFX LOWER SUPPORT CASTING | 1 |
| 4 | 91025 | SENSOR, PROXIMITY REFLEX | 1 |
| 5 | 103079 | BRACKET, PROX SENSOR | 1 |
| 6 | 90511 | DEERE GAUGE WHEEL SENSOR | 1 |
| 7 | 91077 | ADAPTER, -8 ORFS BULKHEAD | 3 |
| 8 | 90129_R1 | ADAPTER, -6 ORB/-4 ORFS | 2 |
| 9 | 90496 | ADAPTER, -4 ORB/-4 ORFS ST | 1 |
| 10 | 9077 | 1/2-13 x 2.25 HHCS | 4 |
| 11 | 9007-R1 | FLANGE NUT 1/2-13 | 4 |
| 12 | 102845 | BUSHING CRADLE CLEVIS MNT | 4 |
| 13 | 91037 | PIN, RFX DEERE OEM MNT | 2 |
| 14 | 90953 | WASHER, FLAT 5/8 ID CLR Z | 2 |
| 15 | 9324 | COTTER PIN 3/16 X 1.5 ZN | 2 |
| 16 | 91076 | HOSE, REFLEX CYL ORFS | 3 |

5028 BASIC REFLEX



| ITEM NO. | PART NUMBER | DESCRIPTION | QTY. |
|----------|-------------|---------------------------|------|
| 1 | 90794 | VALVE, SUN DLV 2-POSITION | 2 |
| 2 | 90988 | PRESSURE SENSOR | 1 |
| 3 | 90958 | CONTROLLER, REFLEX | 1 |
| 4 | 300658 | REFLEX CYLINDER SUB ASSY | 1 |
| 5 | 300367R01 | GLAND ASSY GFX SMALL | 1 |
| 6 | 91005 | ACCUMULATOR, 0.16L 500PSI | 1 |
| 7 | 91121 | ACCUMULATOR, 0.16L 350PSI | 1 |
| 8 | 103028 | ROD, REFLEX 2 | 1 |
| 9 | 103029 | ROD END, REFLEX 2 | 1 |
| 10 | 90989 | WEAR RING, REFLEX | 2 |
| 11 | 91061 | SET SCREW, 1/4-20 X 1/4 | 1 |
| 12 | 90987 | SEAL, PISTON REFLEX | 1 |
| 13 | 91022 | PLUG, REFLEX 8 POS AMPSEA | 1 |
| 14 | 300699 | PLUG, SUN T-8A CAVITY | 4 |

BASIC REFLEX ACTUATOR - 300642

