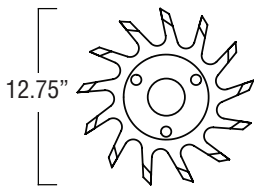


Dawn Parts Breakdown 1130A-12.75 & 1130A-14

Item	Dawn Part #	Item Description
1	9785	1/8" pipe plug
2	9007	1/2"-13 Lock Nut
3	100949	Triangular Supercap
4	9662R01	O-Ring
5	9024	3/4"-13 Castle Nut
6	9019	Cotter Pin
7	9028	Tongue Washer
8	9016	Tapered Bearing Cone
9	9015	Bearing Cup
10	200075	Hub Forging

Item	Dawn Part #	Item Description
11	9088	1/2"-13x1 3/4" Gr5 HHCS
12	9018	Phenolic Wear Ring
13	9017	Triple Lip Seal
14	100066	Threaded Drive Shaft
15	100882	Formed Stripper
16	9032	5/8" Flat Washer
17	9101	5/8"-11x 1 1/2" Gr8 HHCS

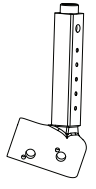


12.75"

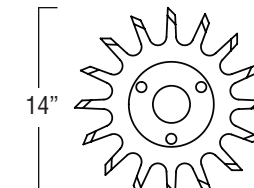
101550

1130A-12.75

Use with
4-hole stem



200291

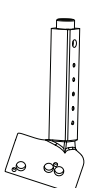


14"

200015

1130A-14

Use with
6-hole stem



200077

