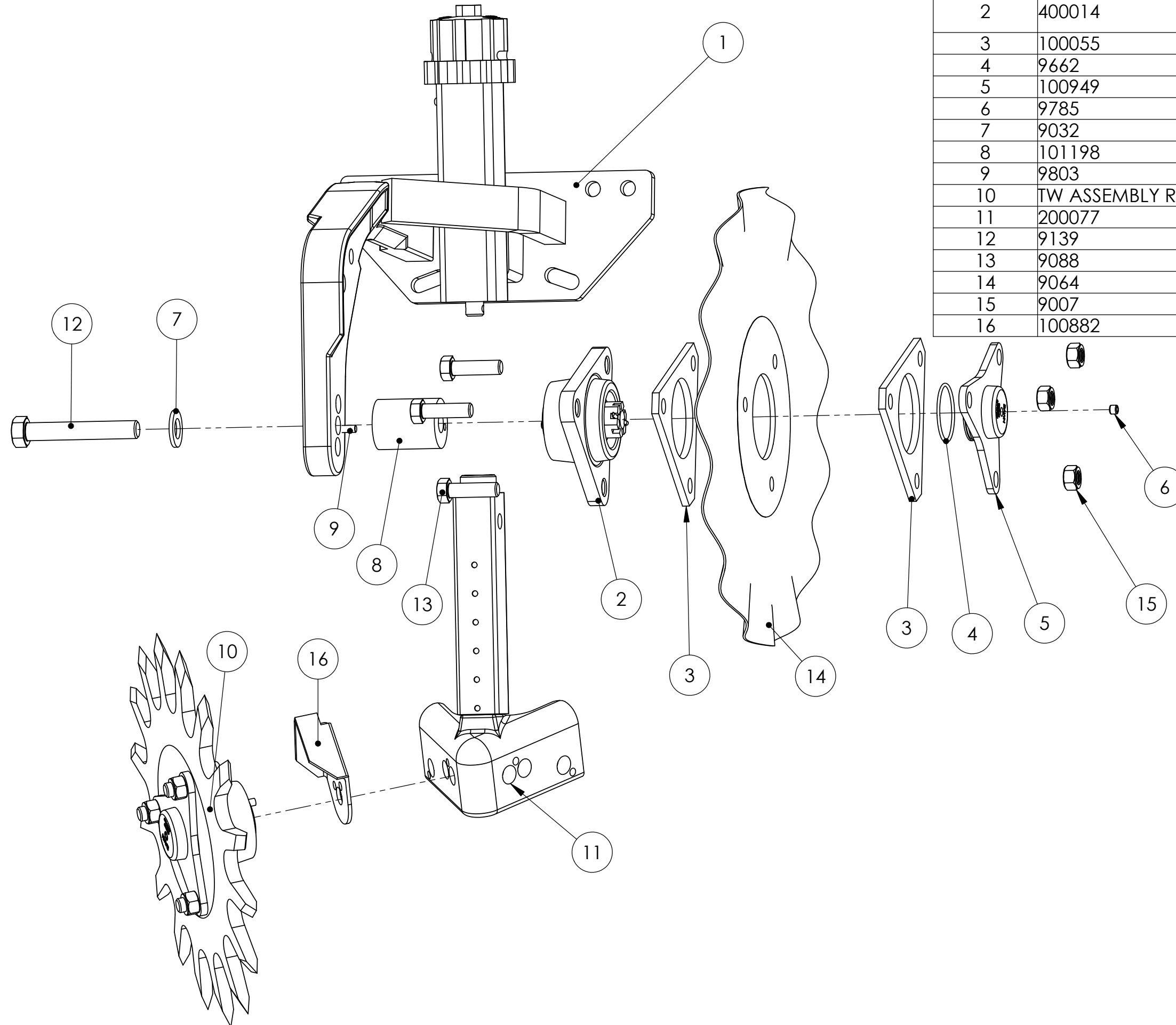


2003 RH



ITEM NO.	PART NUMBER	DESCRIPTION	QTY.
1	300103	MOUNT ASSY, 1572 COULTER COMB	1
2	400014	HUB ASS'Y, DAWN FORGED FOR ASSY SEE DRAWING 400014	1
3	100055	SPACER TRIANGLE, 1/4" THK	2
4	9662	O-RING SUPERCAP	1
5	100949	CAP, BEARING (SUPERCAP)	1
6	9785	PLUG, 1/8 NPT 304 SS SOC HD	1
7	9032	FW 5/8 X 1.29 X .13	1
8	101198	SPACER COULTER 1.75 DIA X 2.25	1
9	9803	PIN GROOVED 1/4 X 3/4 TYPE-H Z	1
10	TW ASSEMBLY RH		1
11	200077	STEM WELDMENT-ADJUSTABLE	1
12	9139	HHCS 5/8-11 X 4 GR8 ZN	1
13	9088	HHCS 1/2-13 X 1-3/4 GR5 ZN	3
14	9064	BLADE 13 WAVE COULTER	1
15	9007	NUT 1/2-13 FLG LOCK GR5 ZN	3
16	100882	STRIPPER, FORMED	1